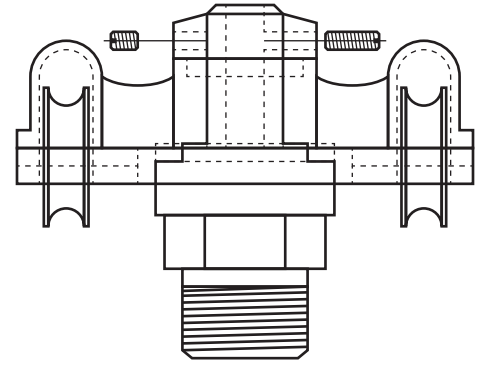
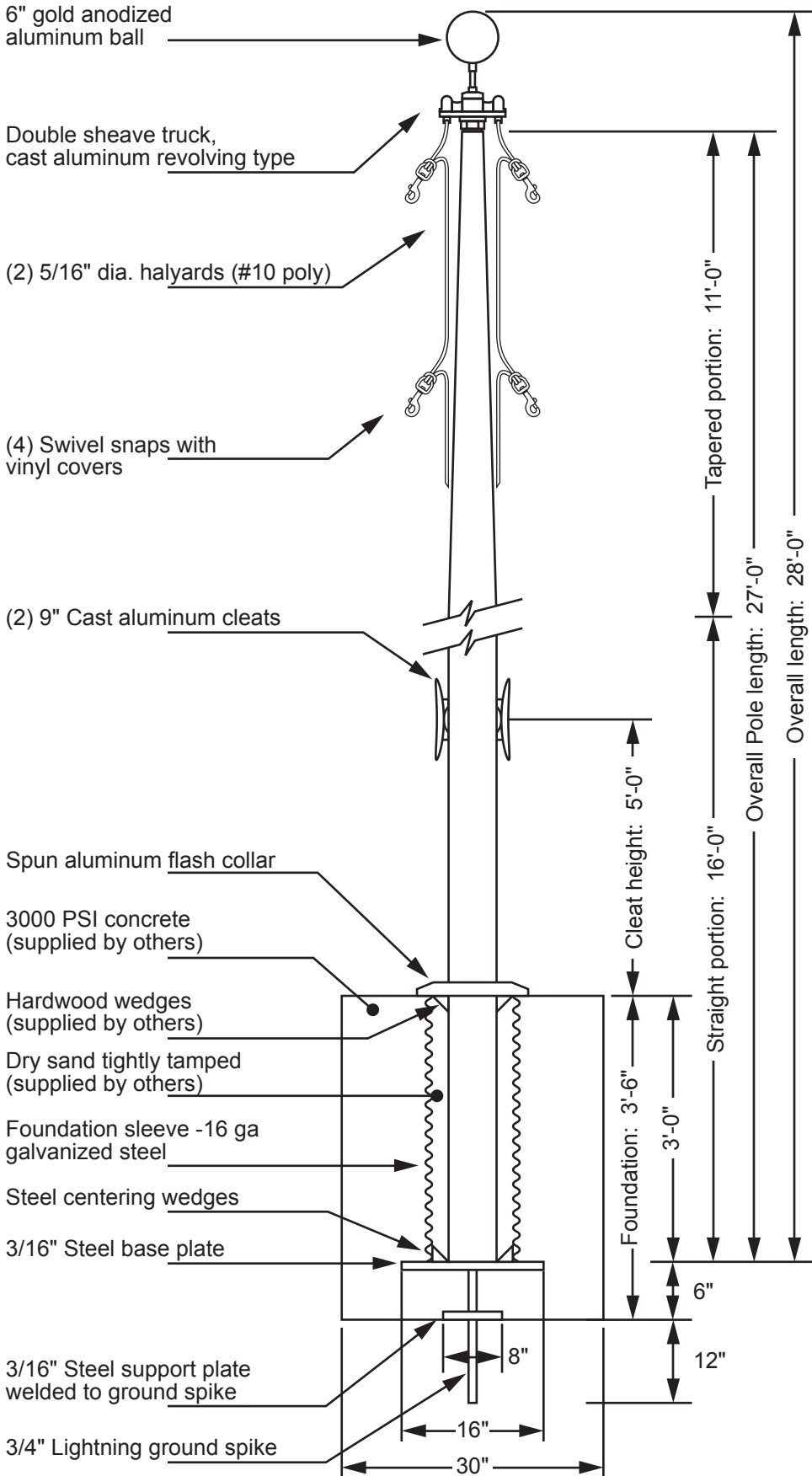



# Model EC25 - External Double Halyard



## Double Sheave Truck Detail

- Revolving truck
- Cast aluminum body
- Stainless steel ball bearings
- Cast aluminum sheaves
- Cast aluminum spindle

|             |           |                          |  |   |
|-------------|-----------|--------------------------|--|---|
| Project:    | Date:     | Exposed Height __ 25'-0" | Ground Set Tapered Aluminum Flagpole<br>ALLOY 6063T6<br>80 grit polish | <b>EDER FLAG</b><br>1000 W. Rawson Avenue<br>Oak Creek, WI 53154<br>www.ederflag.com  |
| Location:   | Job:      | Overall Height __ 28'-0" |  |   |
| Contractor: | Revision: | Butt Diameter __ 6"      | FINISH:  |  |
| Customer:   |           | Top Diameter __ 3-1/2"   |  |   |
|             |           | Wall Thickness __ .188"  |  |   |
|             |           | Ships in 1 section       |  |   |