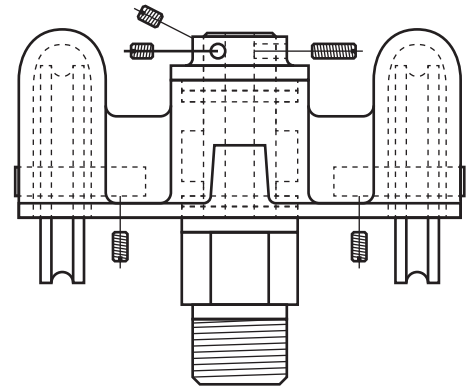
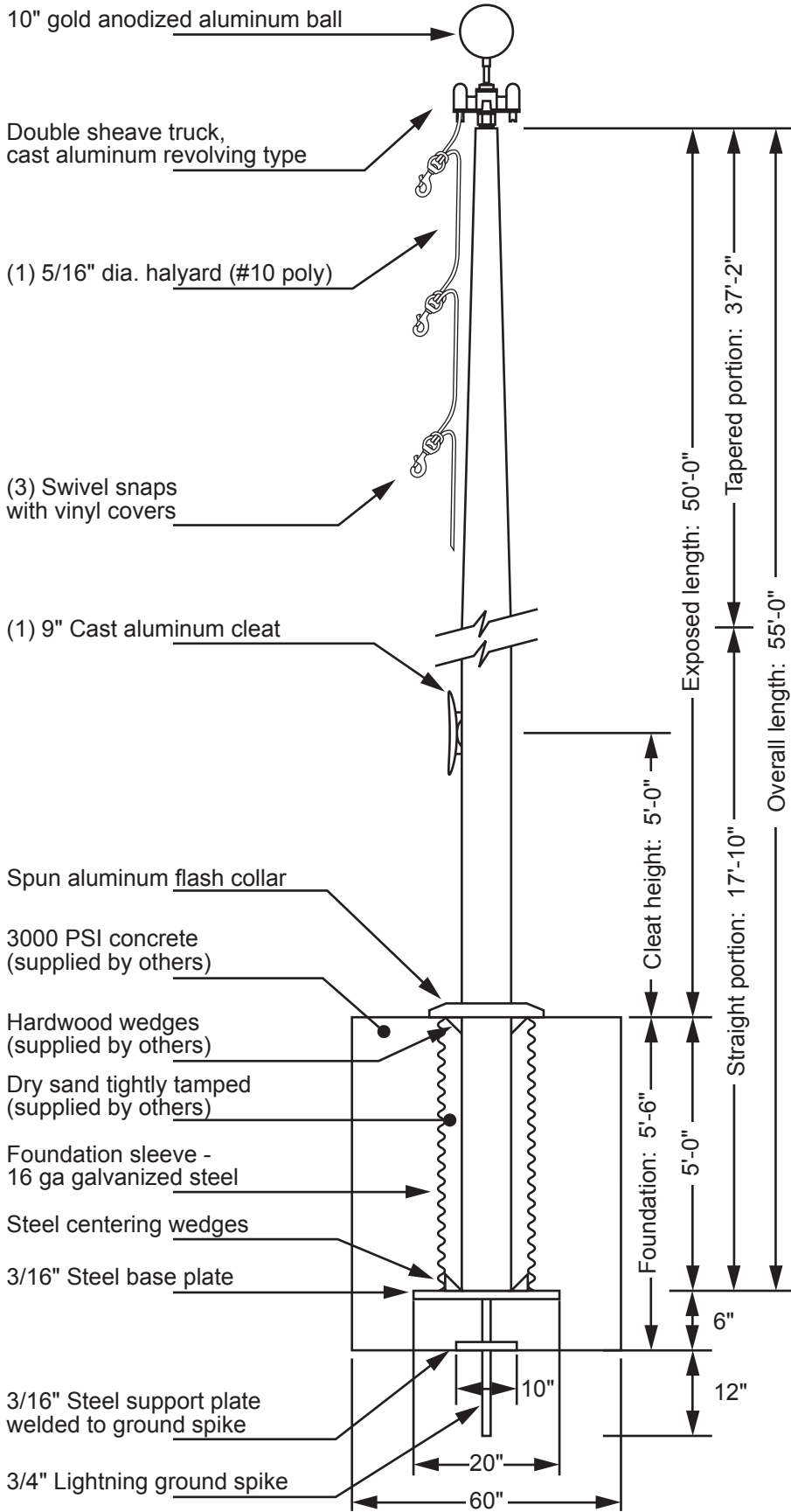


# Model ECH50 - Hurricane External Single Halyard



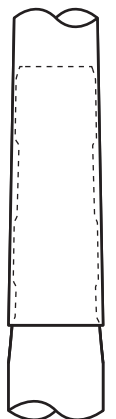
## Double Sheave Truck Detail

- Revolving truck
- Cast aluminum body
- Stainless steel ball bearings
- Cast aluminum sheaves
- Cast aluminum spindle

All shafts with overall length of more than 38'-6" are shipped in multiple sections.

Each section matched and marked for field assembly. Exposed portion of jam sleeve must be **well lubricated** prior to assembly.

1-1/2" maximum shop gap allowed for field fitting.



Project:  
Location:  
Contractor:  
Customer:

Date:  
Job:  
Revision:

Exposed Height \_\_ 50'-0"  
Overall Height \_\_ 55'-0"  
Butt Diameter \_\_ 10"  
Top Diameter \_\_ 4"  
Wall Thickness \_\_ .312"  
Ships in 3 section

Ground Set Tapered  
Aluminum Flagpole  
ALLOY 6063T6  
80 grit polish

FINISH:

**EDER FLAG**  
1000 W. Rawson Avenue  
Oak Creek, WI 53154  
www.ederflag.com

