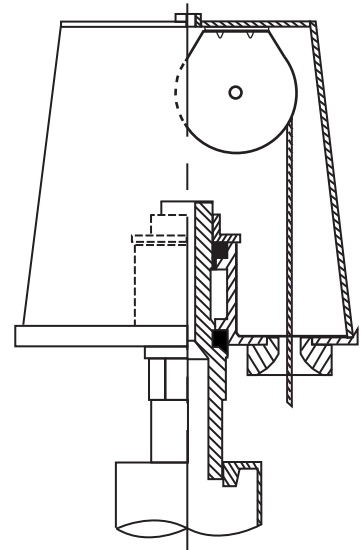
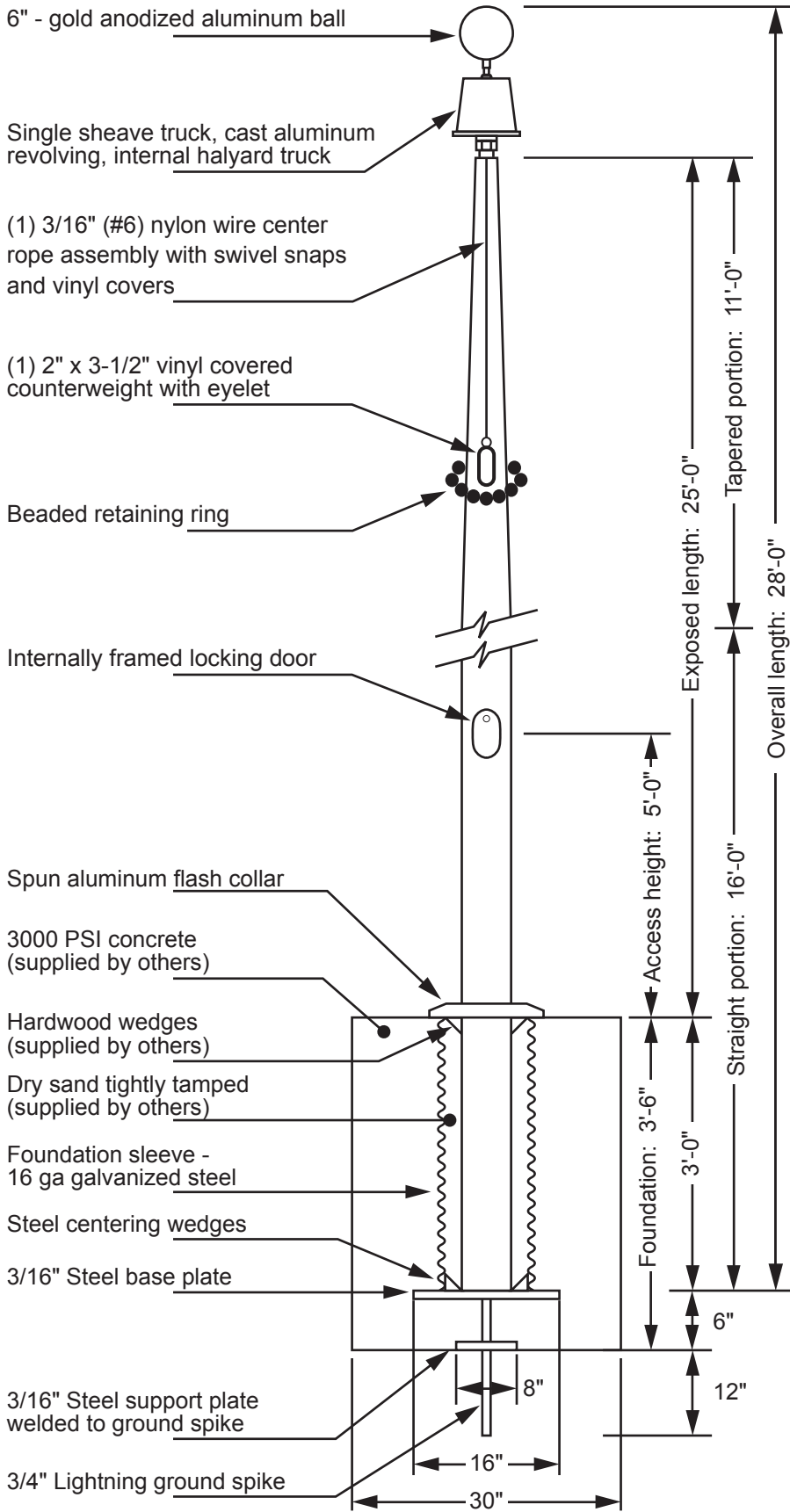
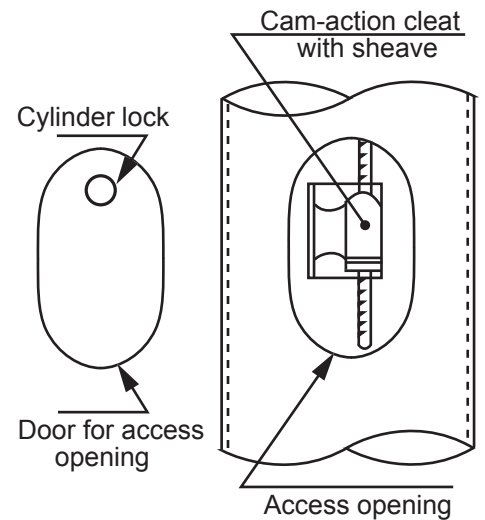


Model ECV25 - Vanguard Internal Halyard



Revolving internal halyard truck
 Cast aluminum body
 Enclosed stainless steel
 Ball bearings and raceway
 plated steel sheave



| | | | |
|---|----------------------------|--|--|
| Project: Location: Contractor: Customer: | Date: Job: Revision: | Exposed Height __ 28'-0" Overall Height __ 25'-0" Butt Diameter __ 6" Top Diameter __ 3-1/2" Wall Thickness __ .188" Ships in 1 section | Ground Set Tapered Aluminum Flagpole ALLOY 6063T6 80 grit polish FINISH: |
| | | | EDER FLAG 1000 W. Rawson Avenue Oak Creek, WI 53154 www.ederflag.com |